

EXHIBIT G CONCEPTS OF PROPOSED FACILITIES

As stated in Arizona Corporation Commission Rules of Practice and Procedure R14-3-219:

“Attach any artist’s or architect’s conception of the proposed plan or transmission line structures and switchyards, which applicant believes may be informative to the committee.”

- Exhibit G-1. Typical 138kV Single-Circuit Tangent Tubular Steel Monopole Structure
- Exhibit G-2. Typical 138kV Double-Circuit Tangent Tubular Steel Monopole Structure
- Exhibit G-3. Typical 138kV Single-Circuit Dead-End Tubular Steel Monopole Structure
- Exhibit G-4. Typical 138kV Double-Circuit Dead-End Tubular Steel Monopole Structure
- Exhibit G-5. Proposed Toro Switchyard
- Exhibit G-6. Typical Pipeline and Transmission Line Easement

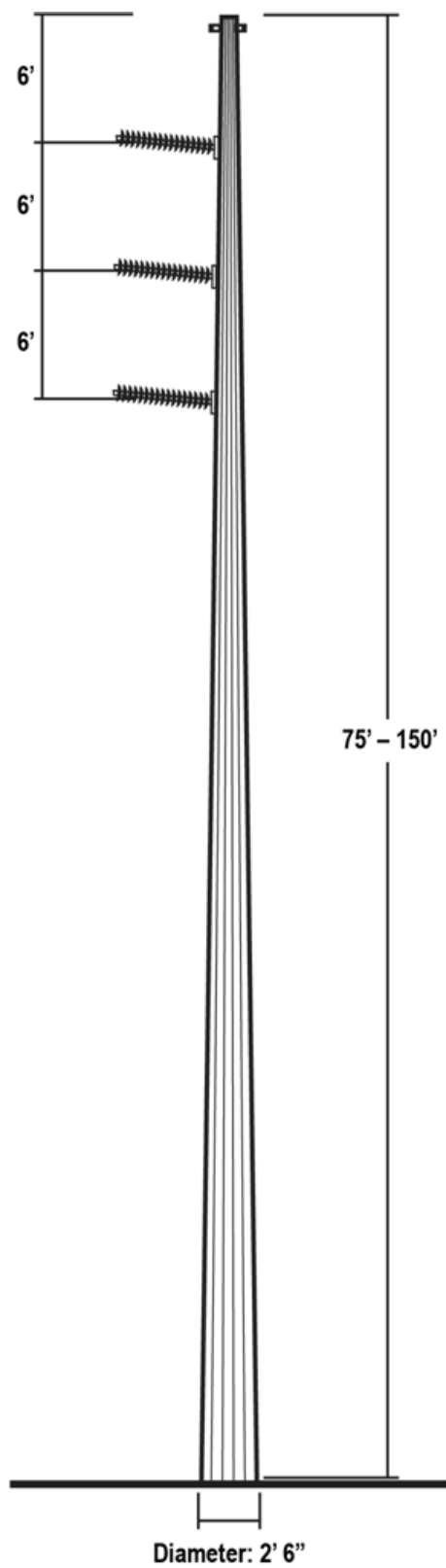


Exhibit G-1. Typical 138kV Single-Circuit Tangent Tubular Steel Monopole Structure

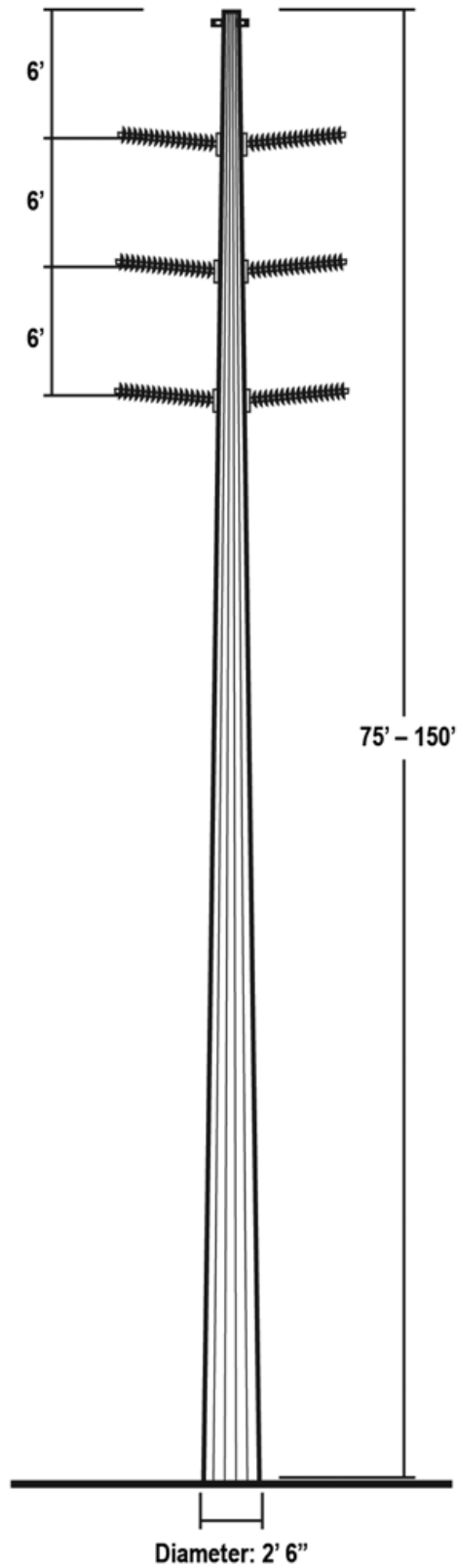


Exhibit G-2. Typical 138kV Double-Circuit Tangent Tubular Steel Monopole Structure

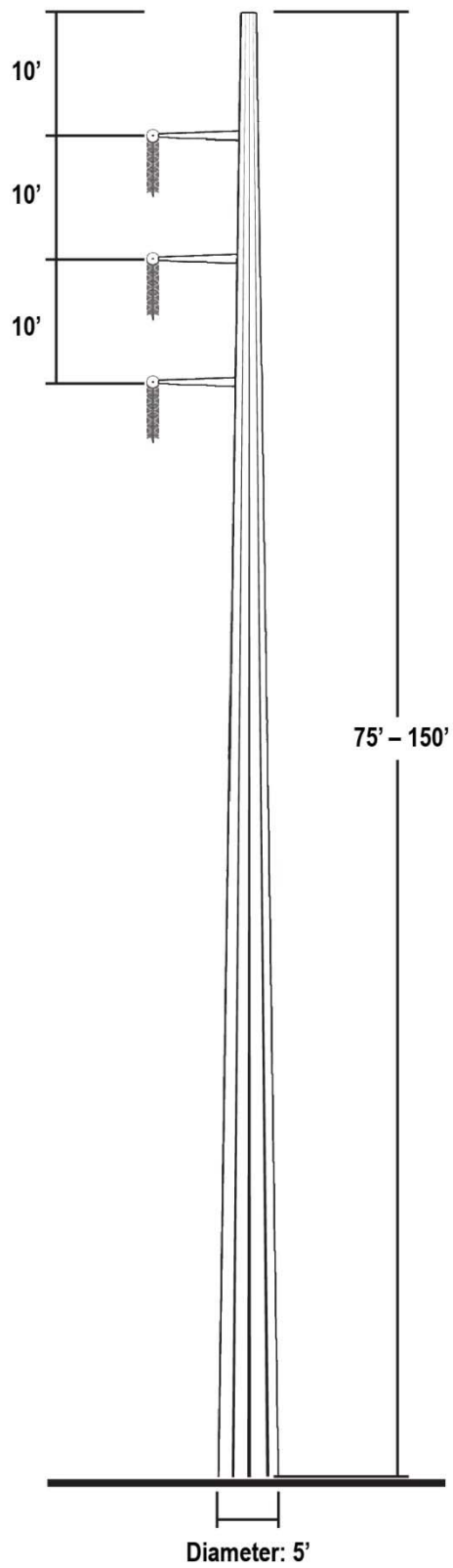


Exhibit G-3. Typical 138kV Single-Circuit Dead-End Tubular Steel Monopole Structure

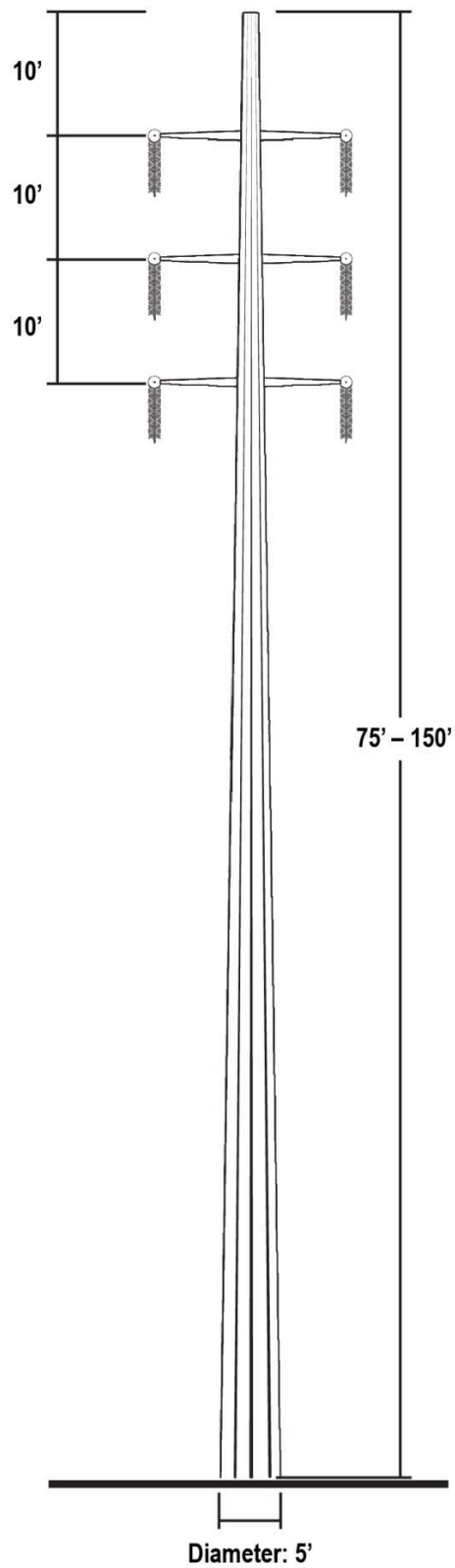


Exhibit G-4. Typical 138kV Double-Circuit Dead-End Tubular Steel Monopole Structure

THIS PAGE INTENTIONALLY LEFT BLANK

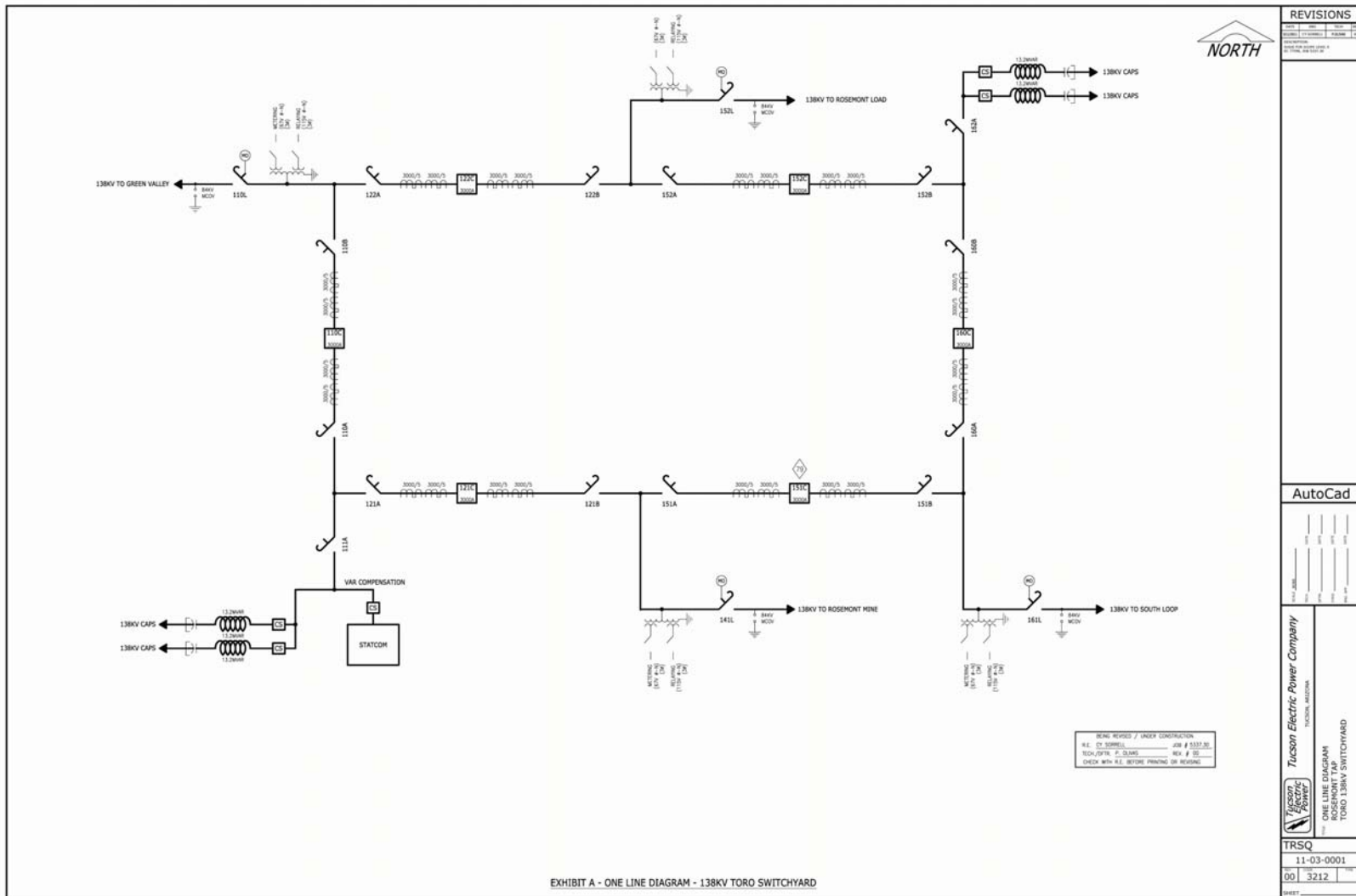


Exhibit G-5. Proposed Toro Switchyard

THIS PAGE INTENTIONALLY LEFT BLANK

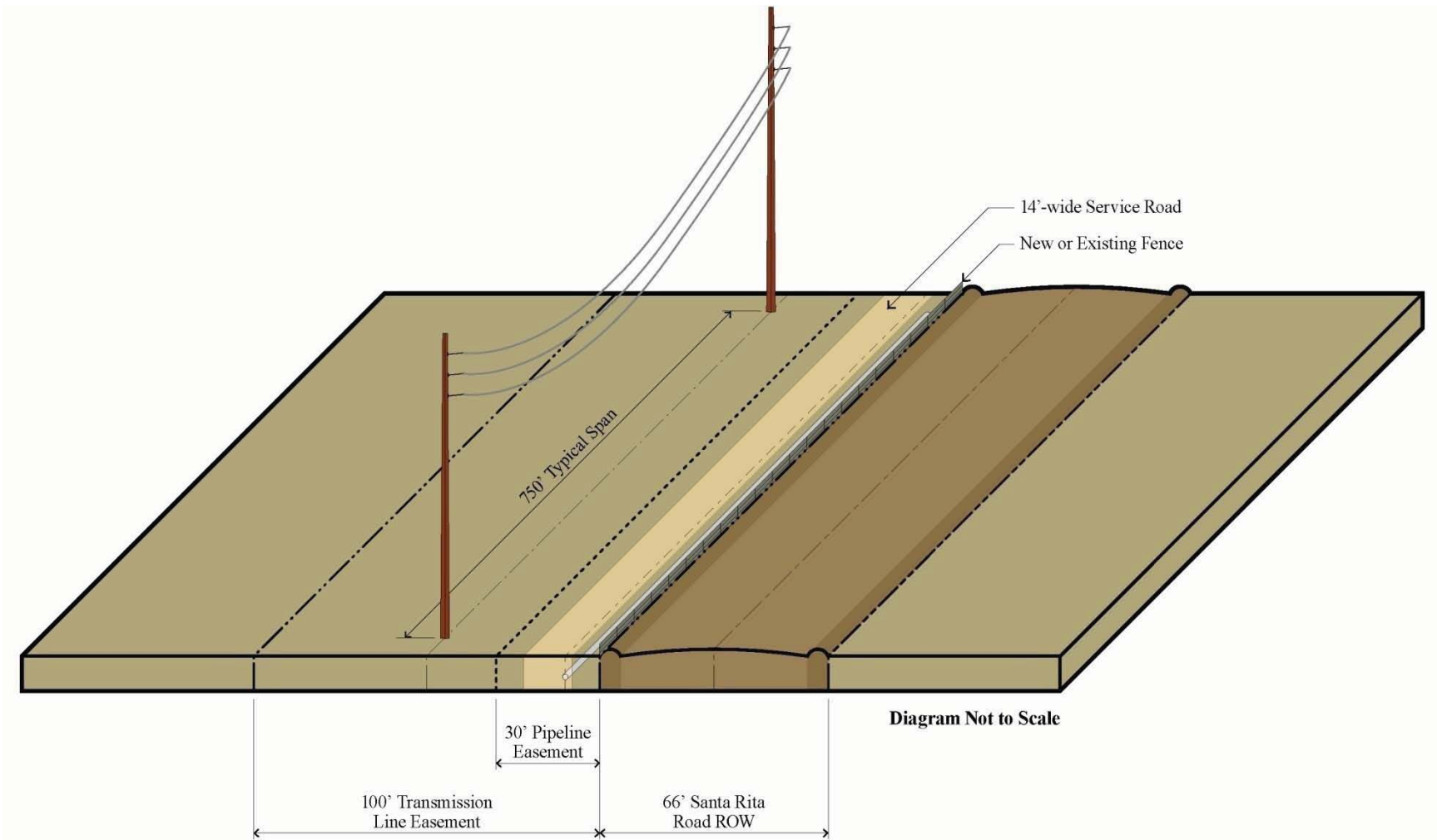


Exhibit G-6. Typical Pipeline and Transmission Line Easement

THIS PAGE INTENTIONALLY LEFT BLANK